



Dewatering – Sewage - Drainage Pumps

M Series

G Series

NC Series

MS & MF Series



www.sterlingpumps.com.au

Dewatering – Sewage – Drainage Pumps

Overview

Sterling Pumps offers a diverse, rugged and versatile range of dewatering, sewage and flood control pumps for many different applications

Flows	Up to 20,000 m ³ /h
Head	Up to 100m
Power	Up to 500 kW (675 hp)

Dewatering Pumps

- ✓ Construction
- ✓ Trenches
- ✓ Mines
- ✓ Power Stations
- ✓ Water Supply
- ✓ Flooded Cellars
- ✓ Tunnels
- ✓ Shipyards
- ✓ Public Utilities
- ✓ Aquaculture
- ✓ Open Sumps
- ✓ Water Transfers

Sewage Pumps

- ✓ Municipalities
- ✓ Public Health Departments
- ✓ Domestic Waste Water
- ✓ Hotel Industries
- ✓ Commercial Complexes & Societies
- ✓ ETP's
- ✓ Housing Colonies
- ✓ Mega Townships

Non-Clog Pumps

- ✓ Corrosive & Abrasive Applications
- ✓ Municipalities
- ✓ Domestic Wastewater
- ✓ Construction Sites
- ✓ Food Screening
- ✓ Concrete & Wastewater

Swimming Pool Cleaners

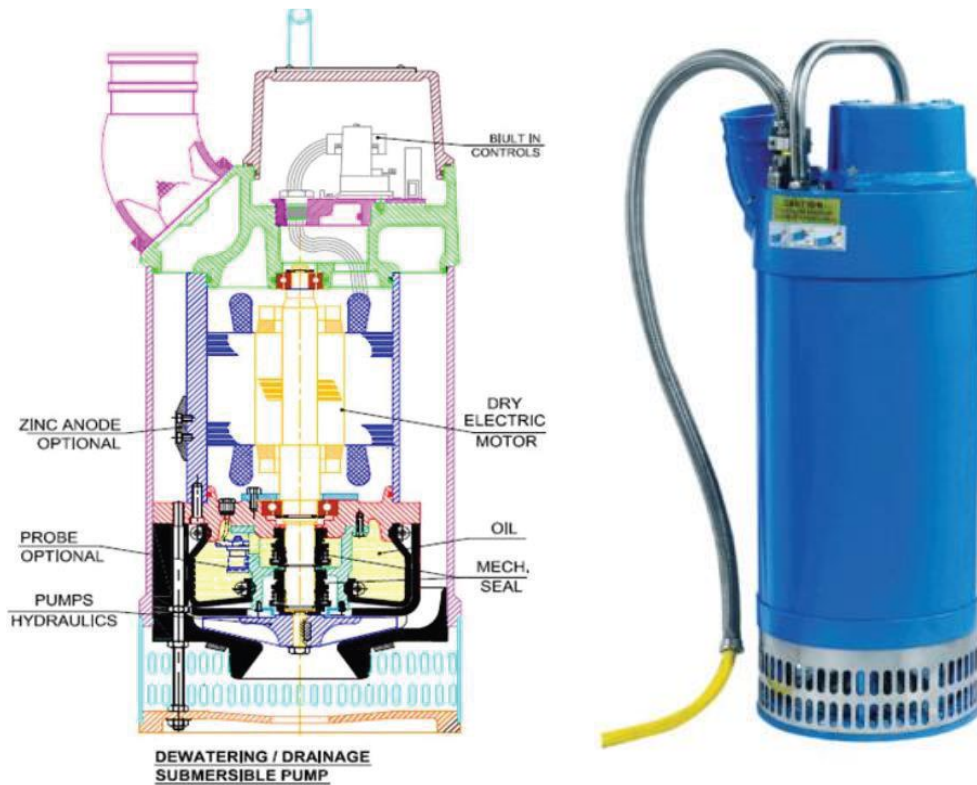
- ✓ Swimming Pools
- ✓ Fountains
- ✓ Water Parks
- ✓ Gardening Trenches

Portable Fire Pumps

- ✓ Fire Fighting
- ✓ Bilge Operation
- ✓ Salvaging Operation

M Series

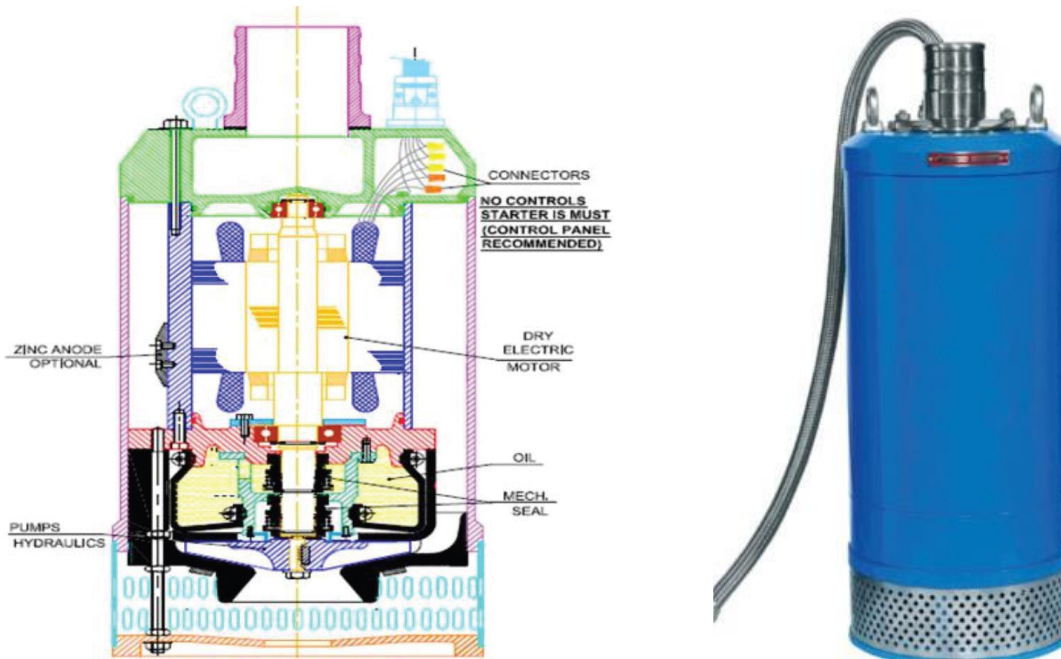
Flows	Up to 1,000 m ³ /h
Head	Up to 100m
Power	Up to 150 kW (200 hp)



- Pump is with side discharge
- Pump with built in contactor
- Contactor cover provided for sealing control unit
- Even if there is a malfunction in the control panel, pump can be run without control panel
- Cable gland assembly id provided for sealing motor chamber
- Supplied with 20 metre lead
- All motors are 3 phase 415V 50 Hz

G Series

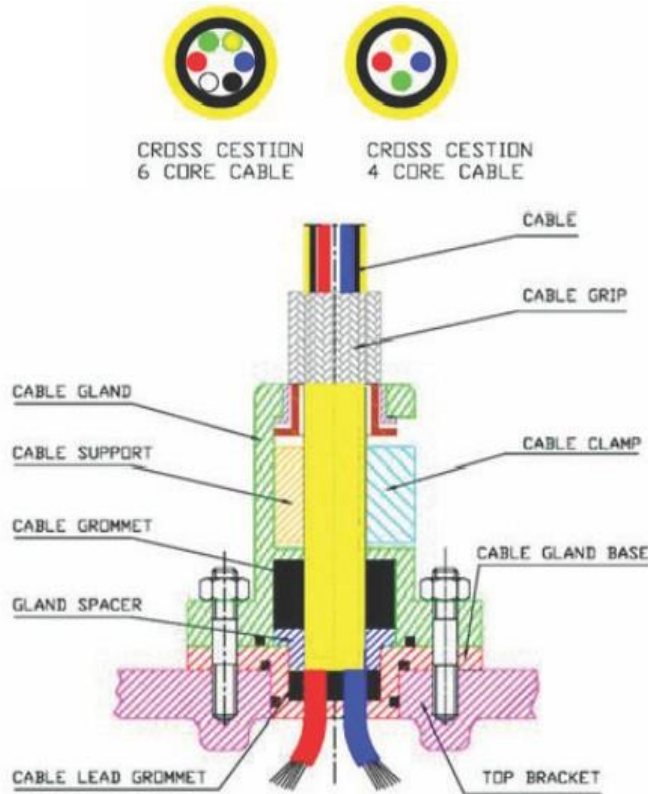
Flows	Up to 1,000 m ³ /h
Head	Up to 100m
Power	Up to 150 kW (200 hp)



**DEWATERING / DRAINAGE
SUBMERSIBLE PUMP**

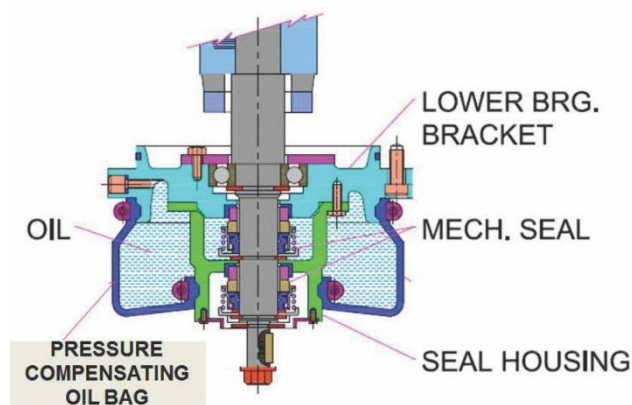
- Top discharge
- Pump is without contactor
- Pump cannot be run without control panel
- Cable gland assembly is provided for sealing motor chamber
- Slim line design construction, ideal for bore well and where space is a constraint
- Supplied with 20 metre lead
- All motors are 3 phase 415V 50 Hz

Cable Gland Assembly

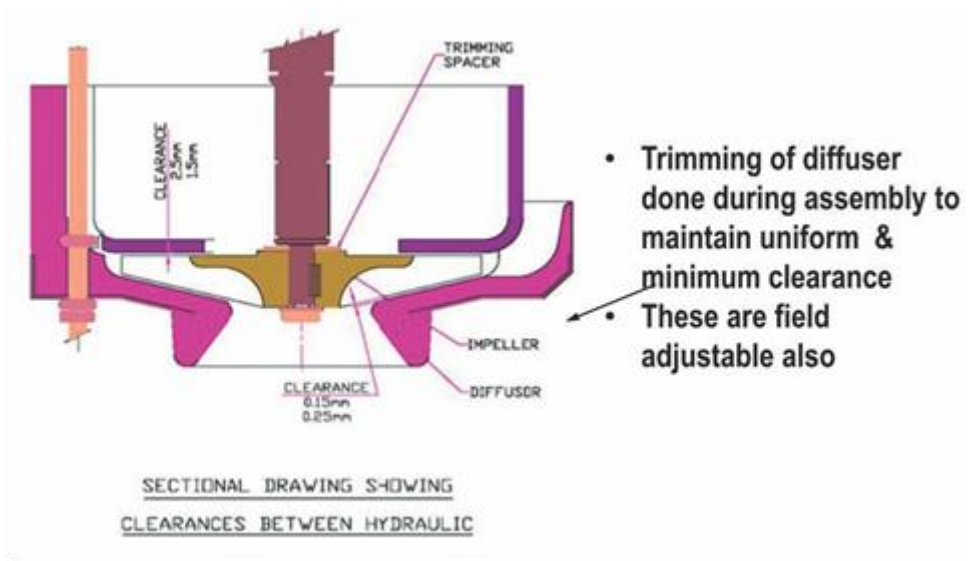


Cable grip provided to make it robust for rough handling.

Cables are sealed in multi fold to make it so robust that even after the damage of outer cable cover no water can seep into the motor chamber.

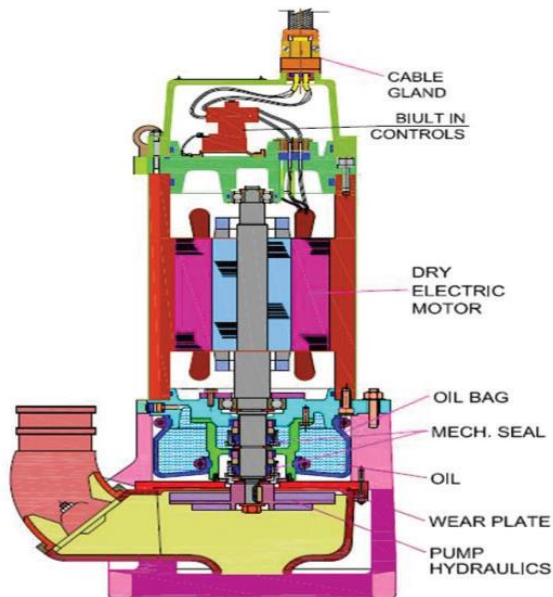


Clearance Between Hydraulics



NC Series – Non Clog Pumps

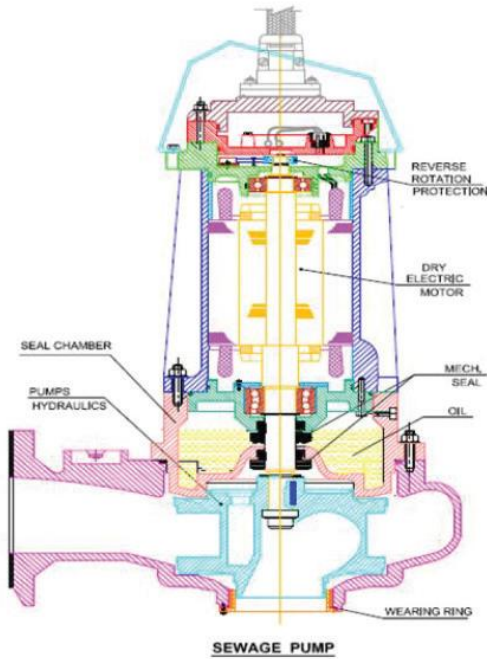
Flows	Up to 79.5 m ³ /h
Head	Up to 29m
Power	Up to 7.5 kW (10 hp)



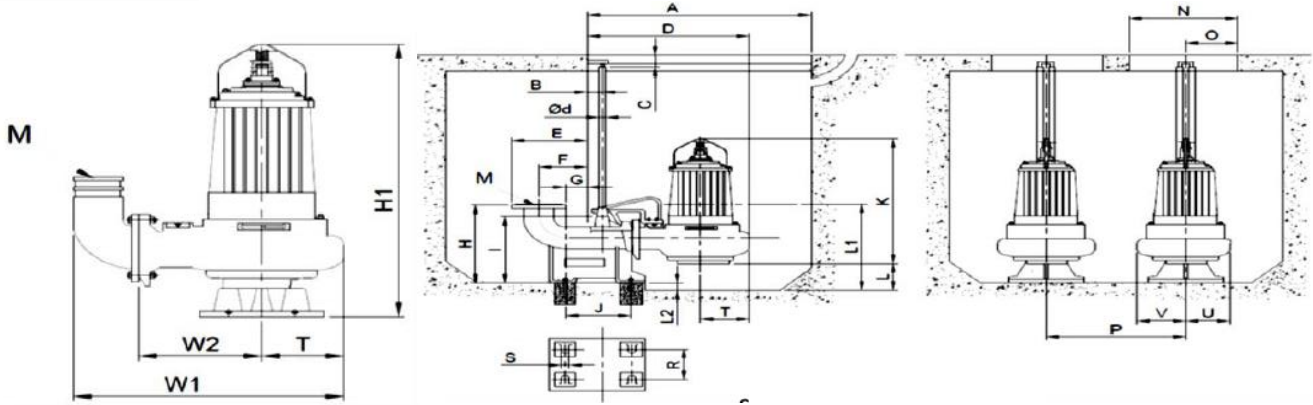
- Pump with built in contactor
- Contactor cover provided for sealing control unit
- If control panel is damaged, the pump can be run without control panel
- Mech. Seals wholly enclosed with pr. Rubber oil bags
- Pump can handle solid size up to 60mm
- Optimised efficiency through replaceable nitrile rubber wear plate
- Vortex type impeller
- Supplied with 20 metre lead
- All motors are 3 phase 415V 50 Hz

MS Series – Sewage Pumps

Flows	Up to 6,000 m ³ /h
Head	Up to 70m
Power	Up to 370 kW (500 hp)



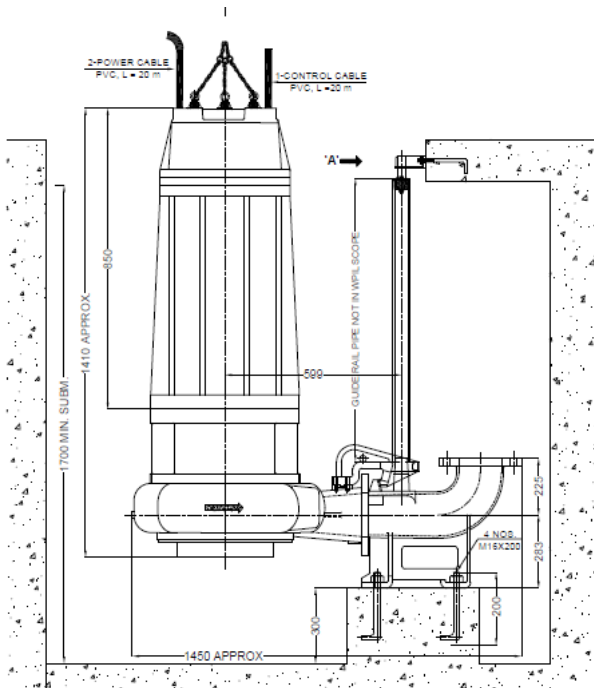
- Side discharge
- Reverse rotation protection is built into the pump
- P-type stationary wet pit installation
- S-type mobile wet pit installation
- Solid handling up to 100mm
- Pump casing is coated to protect from corrosive environments through black chloric paint – in addition to primer and epoxy paint
- Supplied with 20m lead
- All motors are 3 phase 415V 50 Hz



MS Series Technical Data

Model	HP	Pole	RPM	Flow CU. M (BEP/Max)	SOH - M	Head - M	A	B	C	Ød (O.D)	E	F	G	H	I	J	K	L	L1	L2	M	N	O	P	R	S	T	U	V	H1	W1	W2	S-type wt. kg.				
MS113SM	1	45	1450	8-15	14	10.5	600	85	70	440	128						520		110																		
MS113SM	5	2	2850	15-25	42	28				440	128									695		110	25						132	135	135	575	410	172	52		
MS113SM	8	2	2850	16.8-33	56	40				440	128	1"								735		110															
MS121	2	2	2850	22.5-45	14	8				393	150	(27)	65	10	175	130	138			585		52								110	105	115	585	380	160	53	
MS122SM	2	4	1410	24.8-45	16	10				422	144									530		110	50							145	145	155	595	479	225	50	
MS122SM	10	2	2850	38-78	41	28				422	144									725		110								145	145	155	825	479	225	140	
MS132SM	33	4	1410	30-55	17	11.5				635	265									695	135	0								155	155	170	760	560	280	68	
MS132SM	5	4	1410	30-61.5	17	11.5				635	265	2"	165	74	400	305	250			695	135	0	75							155	155	170	800	560	280	125	
MS231	3	2	2850	30-60	26	15				575	(60)	261								695	140	0								140	140	140	700	448	180	105	
MS232	3		1450	60-72	12.5	7.5				595	261									602	150	30	100							164	160	170	704	435	176	115	
MS252	5		1450	90-174	16	9.5	715	(60)	275	165	74	403	321	250	735	150			64	100	450	225	670	200	23	208	190	226	800	640	307	145					
MS471SM	8		1450	30-53	28.7	20	621	(27)	144	67	10	173	130	138	687	105			100	50	570	285				115	23	222	208	223	790	626	295	160			
MS481	10		1450	105-195	26	15.5	718		275	165	74	403	321	250	725	150			67	100							208	190	228	827	643	310	185				
MS482	10		1450	144-279	18.2	9.8	726	(60)	311								735		60	150	450	225	670	200	23	208	190	228	865	746	318	200					
MS483	10		1450	162-306	11	6.3	760		339	193	110	458	402	280			675		0								210	180	240	886	685	350	220				
MS484SM	10		1450	50-84	34.2	27	624	1"	144	67	10	173	130	138			690		100	50	570	285				115	13	222	208	223	790	626	295	173			
MS485SM	13		1422	55-95	38	32											725	105									830	626	395	195							
MS6152	15		1450	210-348	26	12	900										900		69		600	300	700				232	205	265	1115	798	338	316				
MS6202	20		1450	210-390	28	13.8	900										900										270	243	301	1165	925	430	345				
MS6252	25		1470	340-396	27.5	15	900										960		37								275	245	305	1190	931	430	400				
MS7253	25		1470	243-475	34	20	905	2"	339	193	110	458	402	280			985	175	42	150							275	245	305	1190	931	430	400				
MS7301	30		1470	200-360	36	22.5-6.5	845	(60)									1060		77		700	350	800				260	240	285	1265	873	385	440				
MS8401	40		1450	270-410	40	25-9.8	916										1245		57								263	260	282	1450	941	450	510				

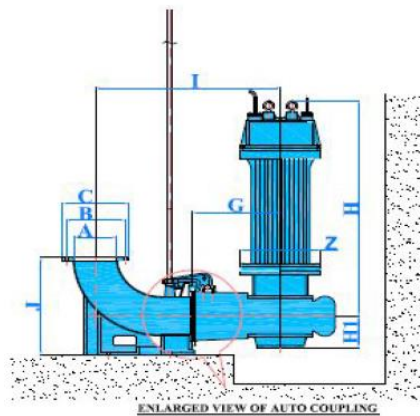
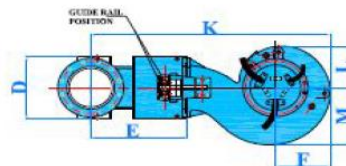
MF Series



Contact Sterling Pumps for additional information

Dimensional Chart

Vertical – Wet Pit with duckfoot bend and auto coupling



Dimensional Chart

S. no	Model	Suction (mm)	Delivery (mm)	Motor Rating kW	Frame Size	RPM	A mm	B mm	C mm	D mm	E mm	F mm	G mm	H mm	H1 mm	I mm	J mm	K mm	L mm	M mm	Z mm	Foundation Bolt Size DxL	
1	4-MF-13	125/100	100	37	225	1450	100	190.5	229	270	415	247	407	860	127	772	403	1069	228	266	445	M24x300	
				30	200		100	190.5	229	270	415	247	407	990	127	772	403	1069	228	266	388	M24x300	
				18.5	180		100	190.5	229	270	415	247	407	840	127	772	403	1069	228	266	390	M24x300	
				11	160	970	100	190.5	229	270	415	247	407	760	127	772	403	1069	228	266	384	M24x300	
				7.5			100	190.5	229	270	415	247	407	760	127	772	403	1069	228	266	384	M24x300	
2	6-MF-11	150	150	18.5	180	1450	150	241.3	279	305	420	250	407	840	143	800	458	1077	218	285	390	M24x300	
				11	160		150	241.3	279	305	420	250	407	760	143	800	458	1077	218	285	384	M24x300	
3	6-MF-13	150	150	30	200	1450	150	241.3	279	305	420	272	432	990	128	825	458	1124	243	303	388	M24x300	
				22	180		150	241.3	279	305	420	272	432	840	128	825	458	1124	243	303	390	M24x300	
				18.5			150	241.3	279	305	420	272	432	840	128	825	458	1124	243	303	390	M24x300	
				9.3	160	970	150	241.3	279	305	420	272	432	760	128	825	458	1124	243	303	384	M24x300	
				7.5			150	241.3	279	305	420	272	432	760	128	825	458	1124	243	303	384	M24x300	
				5.5			730	150	241.3	279	305	420	272	432	760	128	825	458	1124	243	303	384	M24x300
				3.7				150	241.3	279	305	420	272	432	760	128	825	458	1124	243	303	384	M24x300
4	6-MF-14	150	150	75	280	1450	150	241.3	279	305	420	276	457	1380	146	850	458	1153	257	299	525	M24x300	
				55	250		150	241.3	279	305	420	276	457	1080	146	850	458	1153	257	299	468	M24x300	
				45	225		150	241.3	279	305	420	276	457	860	146	850	458	1153	257	299	445	M24x300	
				30	200		150	241.3	279	305	420	276	457	990	146	850	458	1153	257	299	388	M24x300	
				18.5			150	241.3	279	305	420	276	457	990	146	850	458	1153	257	299	388	M24x300	
				15	180	970	150	241.3	279	305	420	276	457	840	146	850	458	1153	257	299	390	M24x300	
				11	160		150	241.3	279	305	420	276	457	760	146	850	458	1153	257	299	384	M24x300	
				7.5	730		150	241.3	279	305	420	276	457	760	146	850	458	1153	257	299	384	M24x300	
				5.5			150	241.3	279	305	420	276	457	760	146	850	458	1153	257	299	384	M24x300	
5	6-MF-17	150	150	45	280	970	150	241.3	279	305	420	323	505	1380	195	898	458	1248	288	240	525	M24x300	
				55			150	241.3	279	305	420	323	505	1380	195	898	458	1248	288	240	525	M24x300	
				37	250		150	241.3	279	305	420	323	505	1080	195	898	458	1248	288	240	468	M24x300	
				30	225		150	241.3	279	305	420	323	505	860	195	898	458	1248	288	240	445	M24x300	
				22	200		150	241.3	279	305	420	323	505	990	195	898	458	1248	288	240	388	M24x300	
				18.5			150	241.3	279	305	420	323	505	990	195	898	458	1248	288	240	388	M24x300	
				15	180		150	241.3	279	305	420	323	505	840	195	898	458	1248	288	240	390	M24x300	
				6	6-MF-17		150	150	22	225	735	150	241.3	279	305	420	323	505	860	195	898	458	1248
18.5	150	241.3	279	305		420			323	505		860	195	898	458	1248	288	240	445	M24x300			
15	200	150	241.3	279		305			420	323		505	990	195	898	458	1248	288	240	388	M24x300		
11	180	150	241.3	279		305			420	323		505	840	195	898	458	1248	288	240	390	M24x300		
7	6-MF-18	150	150	110	315	1470	150	241.3	279	305	420	321	508	1770	175	901	458	1249	290	356	650	M24x300	
				132			150	241.3	279	305	420	321	508	1770	175	901	458	1249	290	356	650	M24x300	
				160			150	241.3	279	305	420	321	508	1770	175	901	458	1249	290	356	650	M24x300	
				180			150	241.3	279	305	420	321	508	1770	175	901	458	1249	290	356	650	M24x300	
				200	150		241.3	279	305	420	321	508	1770	175	901	458	1249	290	356	650	M24x300		
				90	280		150	241.3	279	305	420	321	508	1380	175	901	458	1249	290	356	525	M24x300	
				75			150	241.3	279	305	420	321	508	1380	175	901	458	1249	290	356	525	M24x300	
55	250	150	241.3	279		305	420	321	508	1080	175	901	458	1249	290	356	468	M24x300					
8	6-MF-18	150	150	45	280	970	150	241.3	279	305	420	321	508	1380	175	901	458	1249	290	356	525	M24x300	
				55			150	241.3	279	305	420	321	508	1380	175	901	458	1249	290	356	525	M24x300	
				37	250		150	241.3	279	305	420	321	508	1080	175	901	458	1249	290	356	468	M24x300	
				30	225		150	241.3	279	305	420	321	508	860	175	901	458	1249	290	356	445	M24x300	
				18.5	200		150	241.3	279	305	420	321	508	990	175	901	458	1249	290	356	388	M24x300	
				22			150	241.3	279	305	420	321	508	990	175	901	458	1249	290	356	388	M24x300	
9	6-MF-18	150	150	18.5	225	730	150	241.3	279	305	420	321	508	860	175	901	458	1249	290	356	445	M24x300	
				22			150	241.3	279	305	420	321	508	860	175	901	458	1249	290	356	445	M24x300	
				15	200		150	241.3	279	305	420	321	508	990	175	901	458	1249	290	356	388	M24x300	
				11	180		150	241.3	279	305	420	321	508	840	175	901	458	1249	290	356	390	M24x300	
				7.5	160		150	241.3	279	305	420	321	508	760	175	901	458	1249	290	356	384	M24x300	
				5.5			150	241.3	279	305	420	321	508	760	175	901	458	1249	290	356	384	M24x300	
				3.7			150	241.3	279	305	420	321	508	760	175	901	458	1249	290	356	384	M24x300	

S. no	Model	Suction (mm)	Delivery (mm)	Motor Rating Kw	Frame Size	RPM	A mm	B mm	C mm	D mm	E mm	F mm	G mm	H mm	H1 mm	I mm	J mm	K mm	L mm	M mm	Z mm	Foundation Bolt Size	DxL
10	8-MF-13	200	200	30	225	970	200	298.4	343	305	441	340	483	860	160	898	508	1264	289	390	445	M24x300	
				18.5	200		200	298.4	343	305	441	340	483	990	160	898	508	1264	289	390	388	M24x300	
				22	200		200	298.4	343	305	441	340	483	990	160	898	508	1264	289	390	388	M24x300	
				15	180		200	298.4	343	305	441	340	483	840	160	898	508	1264	289	390	390	M24x300	
				15	200		200	298.4	343	305	441	340	483	990	160	898	508	1264	289	390	388	M24x300	
11	8-MF-13	200	200	9.3	180	735	200	298.4	343	305	441	340	483	840	160	898	508	1264	289	390	390	M24x300	
				11	180		200	298.4	343	305	441	340	483	840	160	898	508	1264	289	390	390	M24x300	
				3.7	160		200	298.4	343	305	441	340	483	760	160	898	508	1264	289	390	384	M24x300	
				5.5	160		200	298.4	343	305	441	340	483	760	160	898	508	1264	289	390	384	M24x300	
				7.5	160		200	298.4	343	305	441	340	483	760	160	898	508	1264	289	390	384	M24x300	
				7.5	160		200	298.4	343	305	441	340	483	760	160	898	508	1264	289	390	384	M24x300	

WD Series – Balast Pumps

Flows	Up to 420 m ³ /h
Head	Up to 100m
Power	Up to 150 kW (200 hp)



DWM Series – High Capacity Flood Control Pumps

Flows	Up to 20,000 m ³ /h
Head	Up to 25m
Power	Up to 500 kW (675 hp)





Sterling Pumps Pty. Ltd.
14 Sharnet Circuit
Pakenham

Phone: 03 5941 3400

Fax: 03 5940 2645

sales@sterlingpumps.com.au

