



Stainless Steel Submersible Pumps

W Series

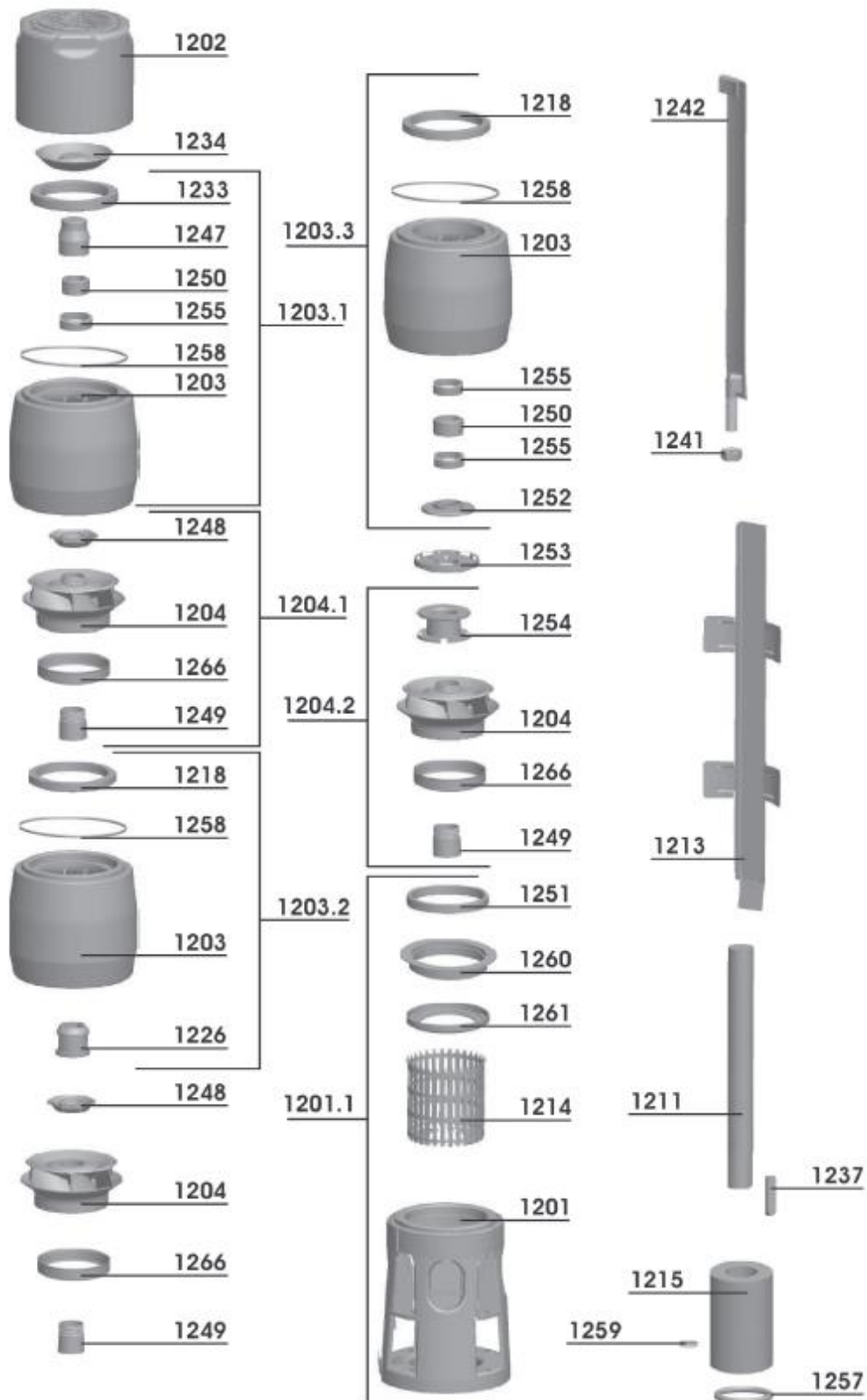
Spare Parts Data



Spare Parts List

6" Submersible Pump

W17, W30, W46, W60



Due to continuous improvement, information and data may be subject to change

Spare Parts List

6" Submersible Pump

W17, W30, W46, W60

Part Number	Part Name	Material
1201	SUCTION CASE	AISI 304
1201.1	SUCTION CASE (COMPLETE)	-
1202	DELIVERY CASING	AISI 304
1203	BOWL / DIFFUSER	AISI 304
1203.1	TOP BOWL / DIFFUSER (COMPLETE)	-
1203.2	STAGE BOWL / DIFFUSER (COMPLETE)	-
1203.3	BOTTOM BOWL / DIFFUSER (COMPLETE)	-
1204	IMPELLER	AISI 304
1204.1	STAGE IMPELLER (COMPLETE)	-
1204.2	BOTTOM IMPELLER (COMPLETE)	-
1211	PUMP SHAFT	AISI 304
1213	CABLE GUARD	AISI 304
1214	STRAINER	AISI 304
1215	COUPLE	AISI 304
1218	NECK RING	NBR
1226	BEARING	NBR
1233	VALVE SEAT	NBR
1234	NRV BASE	AISI 304
1241	NUT	AISI 304
1242	CLAMP STUD	AISI 304
1247	TOP BEARING CAP	AISI 304
1248	COLLET NUT	AISI 304
1249	COLLET	AISI 304
1250	TOP BEARING	NBR
1251	BOTTOM NECK RING	NBR
1252	NUT STOP RING	AISI 304
1253	SPACING WASHER	PTFE
1254	NUT THD. RING ASSEMBLY (ONLY FOR W46, W60)	AISI 304
1255	BEARING CUP	AISI 304
1257	'O' RING FOR COUPLIG	NBR
1258	'O' RING BOWL	NBR
1259	GRUB SCREW	AISI 316
1260	BOTTOM NECK RING COVER (ONLY FOR W46, W60)	P.P
1261	STRAINER SUPPORT (ONLY FOR W30)	AISI 304
1266	WEAR RING	AISI 304
1267	NRV VALVE GUIDE RING	AISI 304

Ordering Note:

While ordering spare parts, please mention:

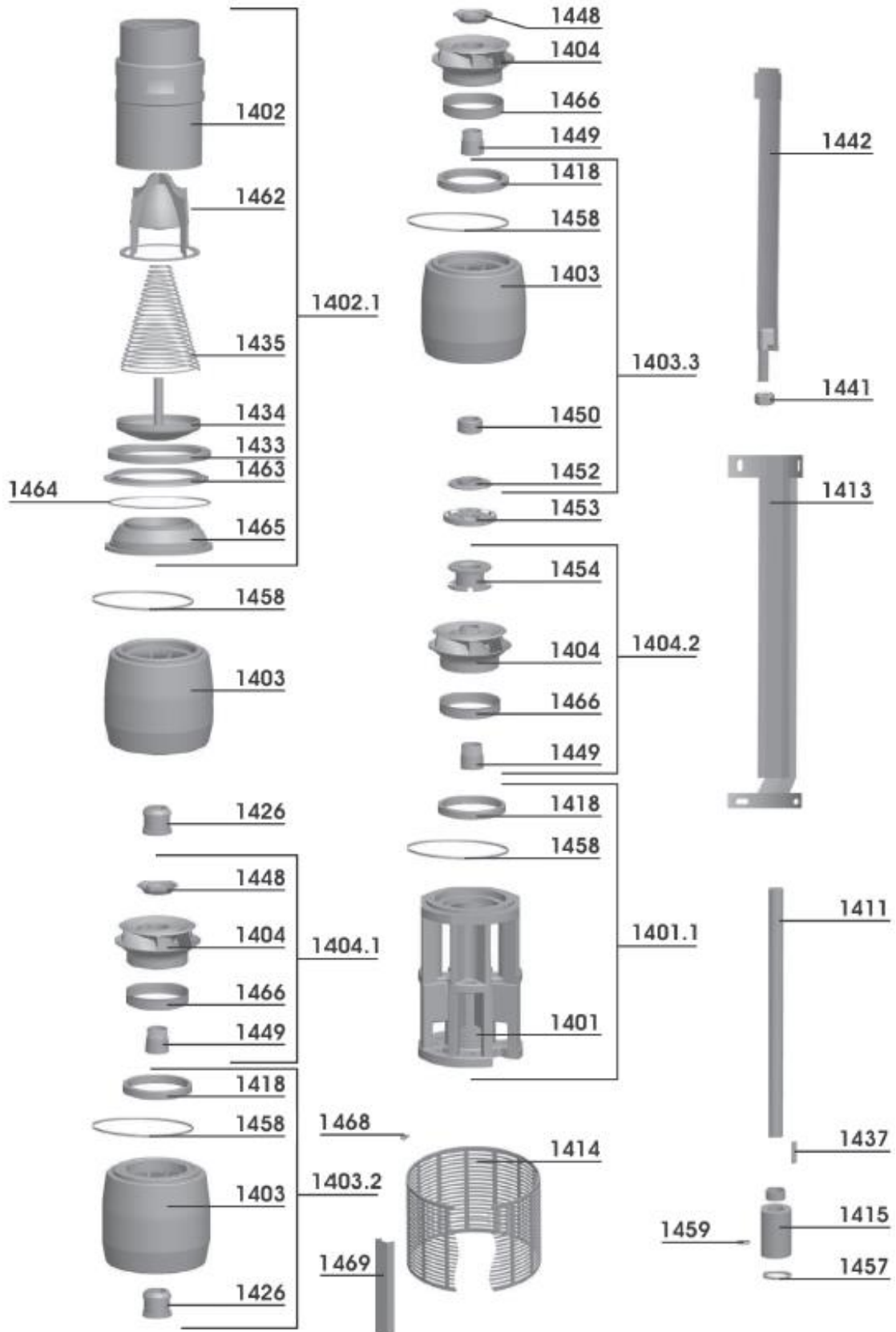
- Pump Type
- Part No.
- Part Name and
- Material

Due to continuous improvement, information and data may be subject to change

Spare Parts List

8" Submersible Pump

W77, W95



Due to continuous improvement, information and data may be subject to change

Spare Parts List

8" Submersible Pump

W77, W95

Part Number	Part Name	Material
1401	SUCTION CASE	AISI 304
1401.1	SUCTION CASE (COMPLETE)	-
1402	DELIVERY CASING	AISI 304
1402.1	DELIVERY CASING (COMPLETE)	-
1403	BOWL / DIFFUSER	AISI 304
1403.2	STAGE BOWL / DIFFUSER (COMPLETE)	-
1403.3	BOTTOM BOWL / DIFFUSER (COMPLETE)	-
1404	IMPELLER	AISI 304
1404.1	STAGE IMPELLER (COMPLETE)	-
1404.2	BOTTOM IMPELLER (COMPLETE)	-
1411	PUMP SHAFT	AISI 431
1413	CABLE GUARD	AISI 304
1414	STRAINER	AISI 304
1415	COUPLE	AISI 304
1418	NECK RING	NBR
1426	BEARING	NBR
1433	VALVE SEAT	NBR
1434	NRV BASE	AISI 304
1435	NRV SPRING	AISI 304
1441	NUT	AISI 316
1442	CLAMP STUD	AISI 304
1448	COLLET NUT	AISI 304
1449	COLLET	AISI 304
1450	TOP BEARING	NBR
1452	NUT STOP RING	AISI 304
1453	SPACING WASHER	PTFE
1454	NUT THD. RING ASSEMBLY	AISI 304
1457	'O' RING FOR COUPLING	NBR
1458	'O' RING BOWL	NBR
1459	GRUB SCREW	AISI 316
1462	VALVE GUIDE	AISI 304
1463	UPPER VALVE SEAT RETAINER	AISI 304
1464	'O' RING FOR VALVE SEAT RETAINER	NBR
1465	LOWER VALVE SEAT RETAINER	AISI 304
1466	WEAR RING	AISI 304
1468	SCREW	AISI 316
1469	LOCK FOR STRAINER	AISI 304

Ordering Note:

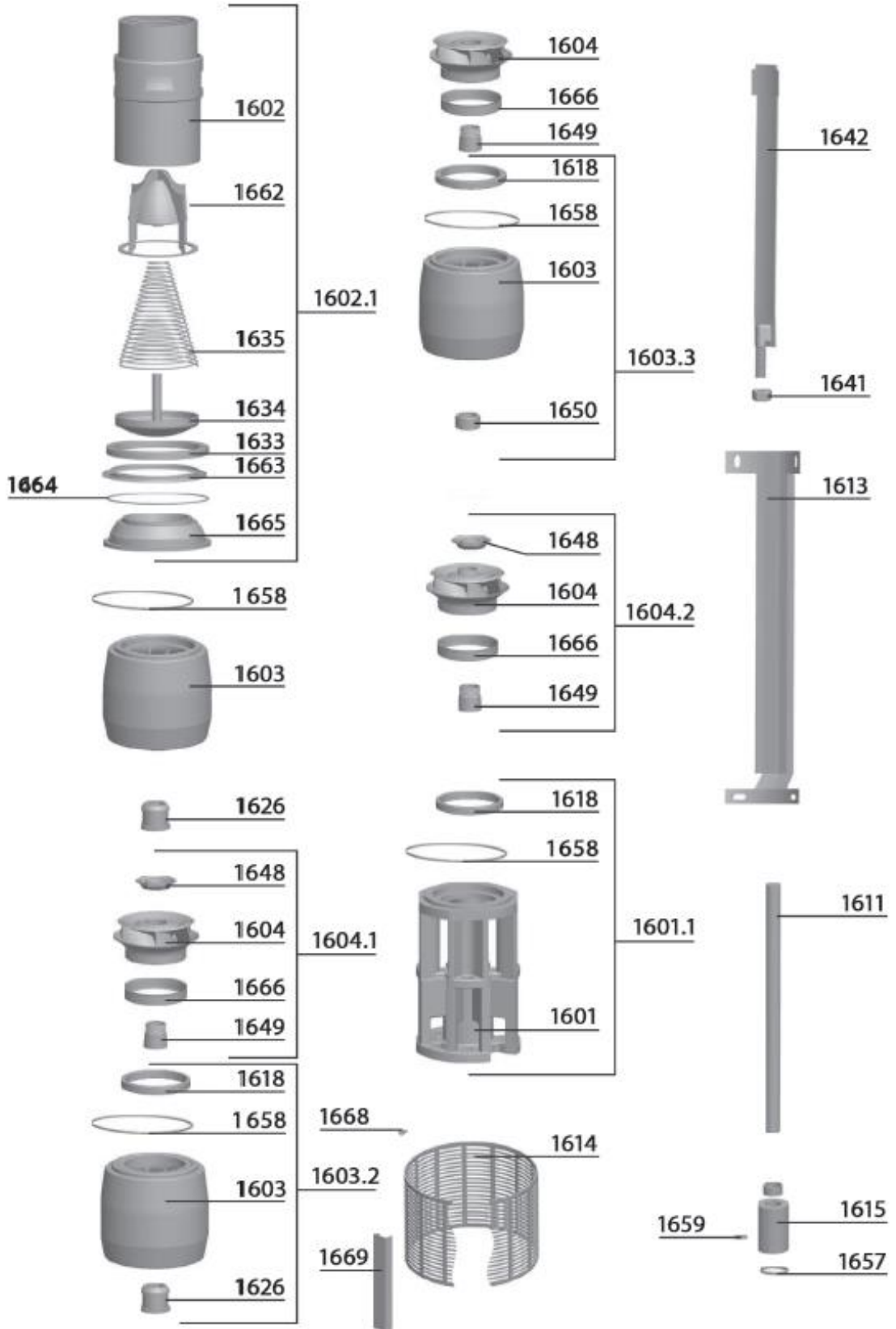
While ordering spare parts, please mention:

- Pump Type
- Part No.
- Part Name and
- Material

Spare Parts List

10" Submersible Pump

W125, W160, W215



Due to continuous improvement, information and data may be subject to change

Spare Parts List

10" Submersible Pump

W125, W160, W215

Part Number	Part Name	Material
1601	SUCTION CASE	AISI 304
1601.1	SUCTION CASE (COMPLETE)	-
1602	DELIVERY CASING	AISI 304
1602.1	DELIVERY CASING (COMPLETE)	-
1603	BOWL / DIFFUSER	AISI 304
1603.2	STAGE BOWL / DIFFUSER (COMPLETE)	-
1603.3	BOTTOM BOWL / DIFFUSER (COMPLETE)	-
1604	IMPELLER	AISI 304
1604.1	STAGE IMPELLER (COMPLETE)	-
1611	PUMP SHAFT	AISI 431
1613	CABLE GUARD	AISI 304
1614	STRAINER	AISI 304
1615	COUPLE	AISI 304
1618	NECK RING	NBR
1626	BEARING	NBR
1633	VALVE SEAT	NBR
1634	NRV BASE	AISI 304
1635	NRV SPRING	AISI 304
1641	NUT	AISI 316
1642	CLAMP STUD	AISI 304
1648	COLLET NUT	AISI 304
1649	COLLET	AISI 304
1650	TOP BEARING	NBR
1653	SPACING WASHER	PTFE
1657	'O'RING FOR COUPLING	NBR
1658	'O' RING BOWL	AISI 316
1659	GRUB SCREW	AISI 304
1662	VALVE GUIDE	AISI 304
1663	UPPER VALVE SEAT RETAINER	NBR
1664	'O' RING FOR VALVE SEAT RETAINER	AISI 304
1665	LOWER VALVE SEAT RETAINER	AISI 304
1666	WEAR RING	AISI 304
1668	SCREW	AISI 316
1669	LOCK FOR STRAINER	AISI 304
1670	NRV CONNECTOR FLANGE	AISI 304

Ordering Note:

While ordering spare parts, please mention:

- Pump Type
- Part No.
- Part Name and
- Material



Sterling Pumps Pty. Ltd.
14 Sharnet Circuit
Pakenham

Phone: 03 5941 3400

Fax: 03 5940 2645

sales@sterlingpumps.com.au

