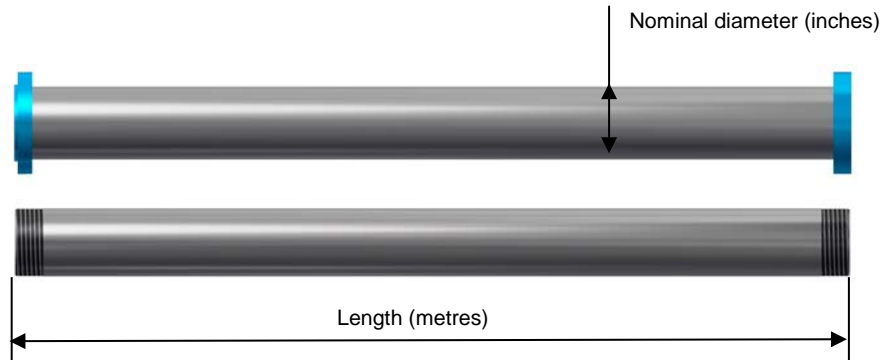




Water Lube Column



Line shaft size (inches)	Column nominal size diameter	Column Length (metres)	Bearing Centres (metres) (refer to speed note)	
1"	4"	3 M	3 M	1.5 M
	6"			
	8"			

FLANGED	
Carbon Steel or 304SS	
Pipe	Flange OD (mm)
Sch 40 CS Sch 10 SS	160
	235
	270

THREADED		
Carbon Steel or 304SS		
Pipe	Collar OD (mm)	Thread
Sch 40	126	8 TPI
	180	
	250	

1-1/4"	4"	3 M	3 M	1.5 M
	6"			
	8"			
	10"			
	12"			

Sch 40 CS Sch 10 SS	160
	235
	270
	336
	412

Sch 40	126	8 TPI
	180	
	250	
	291	
	316	

1-1/2"	6"	3 M	3 M	1.5 M
	8"			
	10"			
	12"			
	14"			
	16"			

Sch 40 CS Sch 10 SS	235
	270
	336
	412
	440
	580

Sch 40	180	8 TPI
	250	
	291	
	316	
	na	
	na	

1-3/4"	6"	3 M	3 M	1.5 M
	8"			
	10"			
	12"			
	14"			
	16"			
	18"			

Sch 40 CS Sch 10 SS	235
	270
	336
	412
	440
	580
	640

Sch 40	180	8 TPI
	250	
	291	
	316	
	na	
	na	
	na	

Notes for all Column:

Shaft couplings are Bronze

Bearing Retainers are Bronze

Shaft material is 431SS

Pumps above 2,200 rpm must use 1.5 metre bearing centre column

Pumps below 2,200 rpm may use 3 metre bearing centre column

Carbon steel external surfaces are painted in bitumous black paint for corrosion resistance

Threaded columns use industry standard thread pitch, right hand. Left hand available as an option

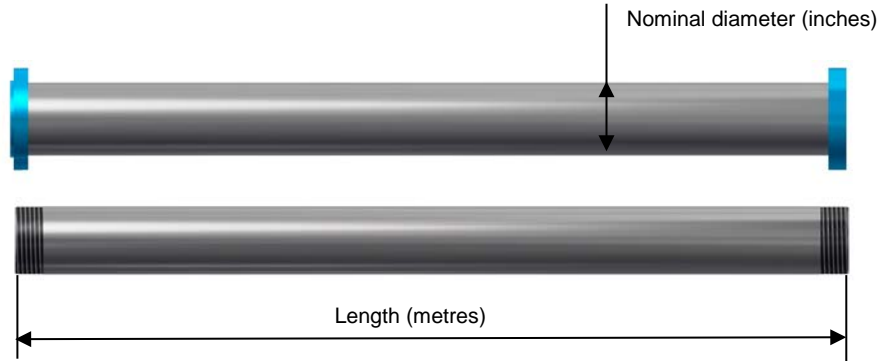
Carbon Steel threaded column collar is Carbon steel

304SS threaded column collar is Bronze

TPI = Threads per Inch



Oil Lube Column



Line shaft size (inches)	Oil Lube Tube (inches)	Column nominal size diameter	Column Length (metres)	Bearing Centres (metres)
1"	2"	4"	3 M	1.5 M
		6"		
		8"		

FLANGED	
Carbon Steel or 304SS	
Pipe	Flange OD (mm)
Sch 40 CS Sch 10 SS	160
	235
	270

THREADED		
Carbon Steel or 304SS		
Pipe	Collar OD (mm)	Thread
Sch 40	126	8 TPI
	180	
	250	

Line shaft size (inches)	Oil Lube Tube (inches)	Column nominal size diameter	Column Length (metres)	Bearing Centres (metres)
1-1/4"	2"	4"	3 M	1.5 M
		6"		
		8"		
		10"		
		12"		

Pipe	Flange OD (mm)
Sch 40 CS Sch 10 SS	160
	235
	270
	336
	412

Pipe	Collar OD (mm)	Thread
Sch 40	126	8 TPI
	180	
	250	
	291	
	316	

Line shaft size (inches)	Oil Lube Tube (inches)	Column nominal size diameter	Column Length (metres)	Bearing Centres (metres)
1-1/2"	2-1/2"	6"	3 M	1.5 M
		8"		
		10"		
		12"		
		14"		
	16"			

Pipe	Flange OD (mm)
Sch 40 CS Sch 10 SS	235
	270
	336
	412
	440
	580

Pipe	Collar OD (mm)	Thread
Sch 40	180	8 TPI
	250	
	291	
	316	
	na	
	na	

Line shaft size (inches)	Oil Lube Tube (inches)	Column nominal size diameter	Column Length (metres)	Bearing Centres (metres)
1-3/4"	3"	6"	3 M	1.5 M
		8"		
		10"		
		12"		
		14"		
		16"		
	18"			

Pipe	Flange OD (mm)
Sch 40 CS Sch 10 SS	235
	270
	336
	412
	440
	580
	640

Pipe	Collar OD (mm)	Thread
Sch 40	180	8 TPI
	250	
	291	
	316	
	na	
	na	
	na	

Notes for all Column:

Shaft couplings are Carbon Steel (in oil)

Bearings are Bronze

Shaft material is 431SS

For vertical installations, install Oil Tube stabiliser (centraliser) at least one (1) every 12 metres

For inclined/angled installations, install Oil Tube stabiliser (centraliser) every 3 metres

Carbon steel column and Oil Tube external surfaces are painted in bituminous black paint for corrosion resistance

Threaded columns use industry standard thread pitch, right hand. Left hand available as an option

Carbon Steel threaded column collar is Carbon steel

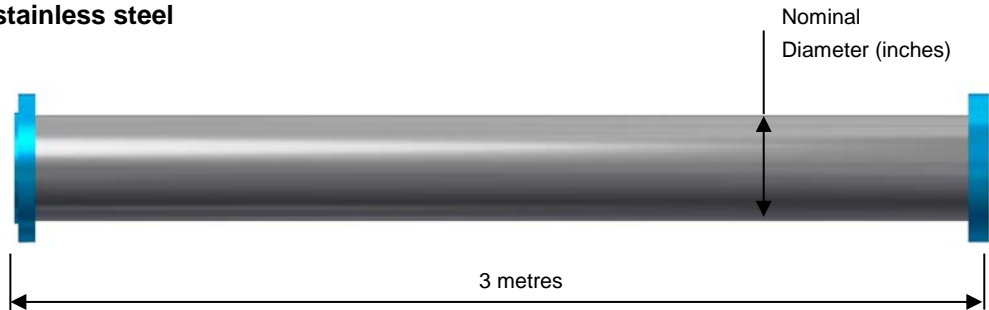
304SS threaded column collar is Bronze

TPI = Threads per Inch

Submersible Column

Flanged Column

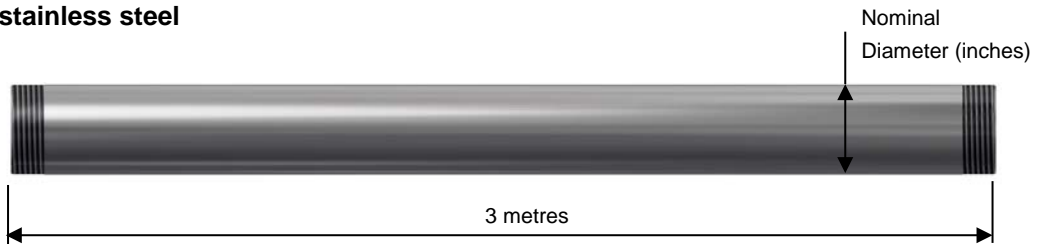
Carbon Steel
304 stainless steel



		Nominal diameter - inches								
Carbon Steel	Sch 40	4"	5"	6"	8"	10"	12"	14"	16"	18"
Stainless Steel	Sch 10	4"	5"	6"	8"	10"	12"	14"	16"	18"
Flange OD (mm)		160	190	235	270	336	412	440	580	640
Standard length		3 metres								

Threaded Column

Carbon Steel
304 stainless steel



		Nominal diameter - inches						Collar material
Carbon Steel	Sch 40	4"	5"	6"	8"	10"	12"	Carbon Steel
Stainless Steel	Sch 40	4"	5"	6"	8"	10"	12"	Bronze
Collar OD (mm)		126	155	180	250	291	316	
Thread		8 TPI						
Standard length		3 metres						

Carbon steel external surfaces are painted in bituminous black paint for corrosion resistance

Threaded columns use industry standard thread pitch, right hand. Left hand available as an option

Submersible column has a notch in the flange to allow for the drop cable

TPI = Threads per Inch